

Download File PDF Kobelco Sk200 8 Sk210lc 8 Hydraulic Excavator Shop Manual

#Jenny



Finally I get this ebook, thanks for all these I can get now!

#Rio



Cool! I'am really happy

#Markus Jensen



I did not think that this would work, my best friend showed me this website, and it does! I get my most wanted eBook

#Hun Tsu



wtf this great ebook for free?!

#Che Salsa



My friends are so mad that they do not know how I have all the high quality ebook which they do not!

#Diego Butler



so many fake sites. this is the first one which worked! Many thanks

34. TRAVEL SYSTEM

5) Removing bushing (2)
With idler (1) mounted on the stand, tap bushing (2) lightly by hammer, while placing the bushing driving rod (7) against the end face of bushing (2) evenly all round, till it comes out.

6) Removing floating seals (4)
Take out floating seals (4) from idler (1), collar (3). If you intend to reuse floating seals (4), confirm that there is no scoring and rusting on the contact surface and store the floating seals in pairs by placing card board between the sealing faces.

7) Removing O-ring (7)
Separate O-ring (7) from shaft (6).

(2) Assembly

1) Pressing in bushing (2)
Align inner hole of idler (1) and bushing (2) and press fit it vertically with press so that fig. (3) for bushing press-fitting is inserted into bushing (2).

2) Installing O-ring (7)
Fit O-ring (7) to O-ring groove on shaft (6).
• Apply grease to O-ring

3) Installing collar (3) (See Fig. 34-50)
Press fit the O-ring (7) installed side of shaft (6) into collar (3), and drive pin (5).

4) Installing floating seal (4)
Fit the half of floating seal (4) on each side of collar (3) and idler (1).

5) Inserting idler (1)
Insert floating seal (4) fitted side of idler (1) into shaft (6).

6) Installing floating seal (4)
Fit floating seal (4) on the other side of idler (1).

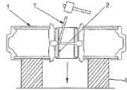


Fig. 34-48 Removing bushing (2)

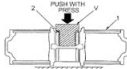


Fig. 34-49 Pressing in bushing (2)




Fig. 34-50 Installing collar (3), shaft (6)




Fig. 34-51 Inserting idler (1) and installing floating seal (4)

[Download PDF version of :](#)
Kobelco Sk200 8 Sk210lc 8 Hydraulic Excavator Shop Manual